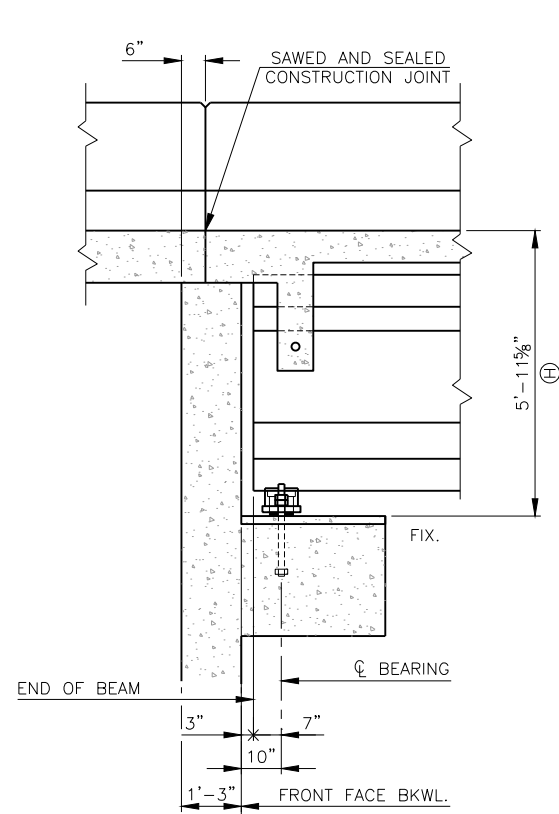
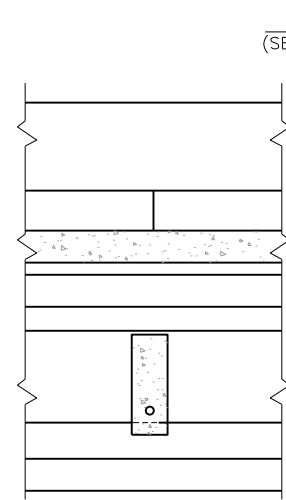


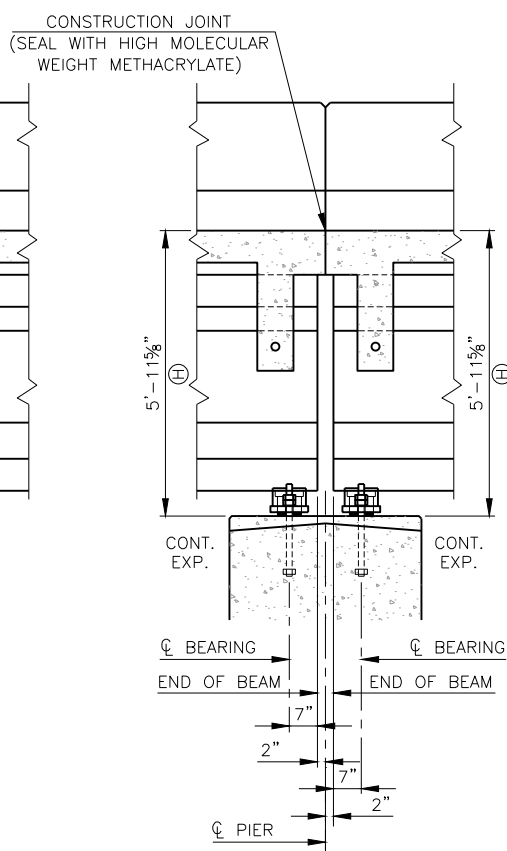
DESCRIPTION	REVISIONS	DATE



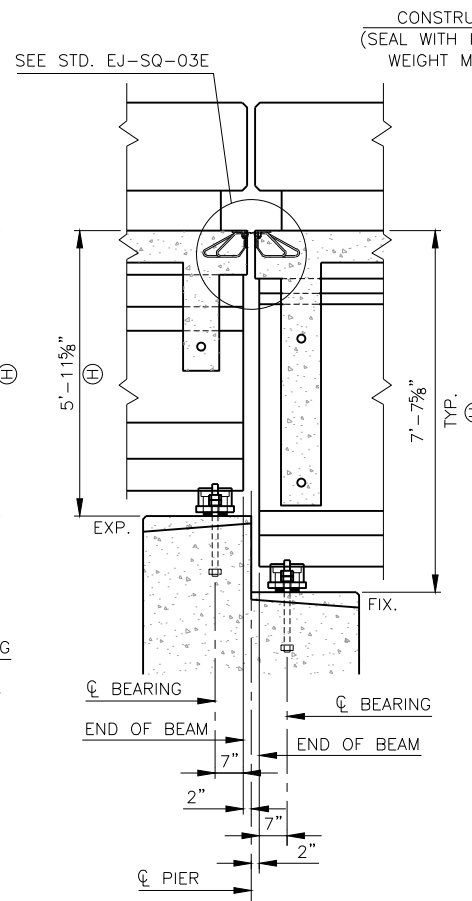
**ABUTMENT NO. 1**



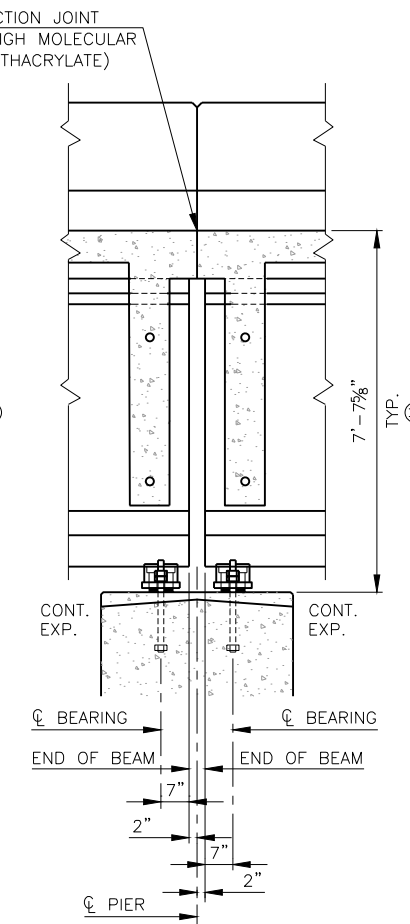
**INTERMEDIATE DIAPHRAGM**



**PIER NO. 1**

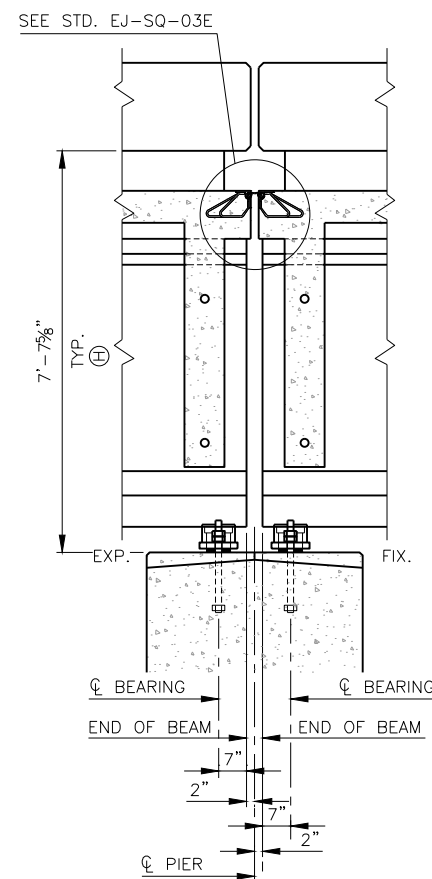


**PIER NO. 2**

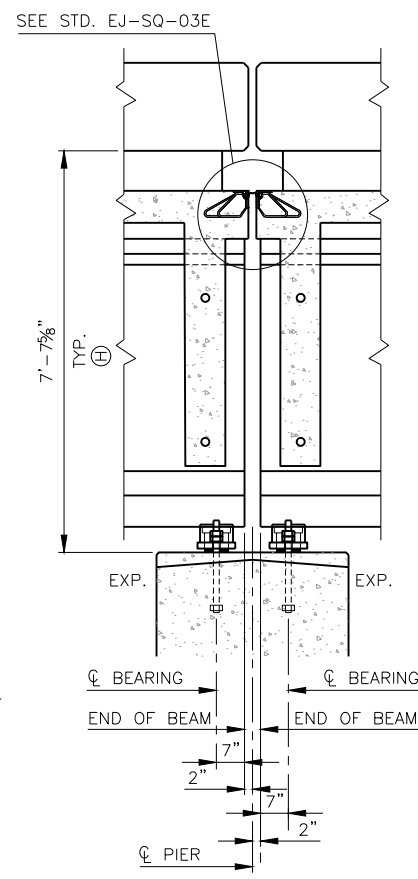


**PIER NO. 3**

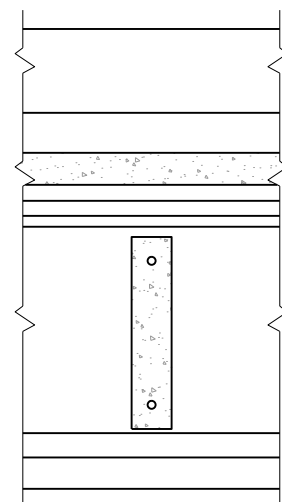
EXP. JOINT OPENING	TEMPERATURE			
	PIER NO. 2	PIER NO. 4	PIER NO. 5	PIER NO. 6
2 3/4"		0'		0'
2 5/8"	0'	7'		7'
2 1/2"	8"	14"		14"
2 3/8"	17"	21"	0'	21"
2 1/4"	26"	28"	14"	28"
2 1/8"	34"	36"	28"	36"
2"	43"	43"	43"	43"
1 7/8"	52"	50"	58"	50"
1 3/4"	60"	58"	72"	58"
1 5/8"	69"	65"	87"	65"
1 1/2"	78"	72"	101"	72"
1 3/8"	87"	79"	116"	79"
1 1/4"	95"	87"	120"	87"
1 1/8"	104"	94"		94"
1"	113"	101"		101"
7/8"	120"	108"		109"
3/4"		116"		116"
5/8"		120"		120"



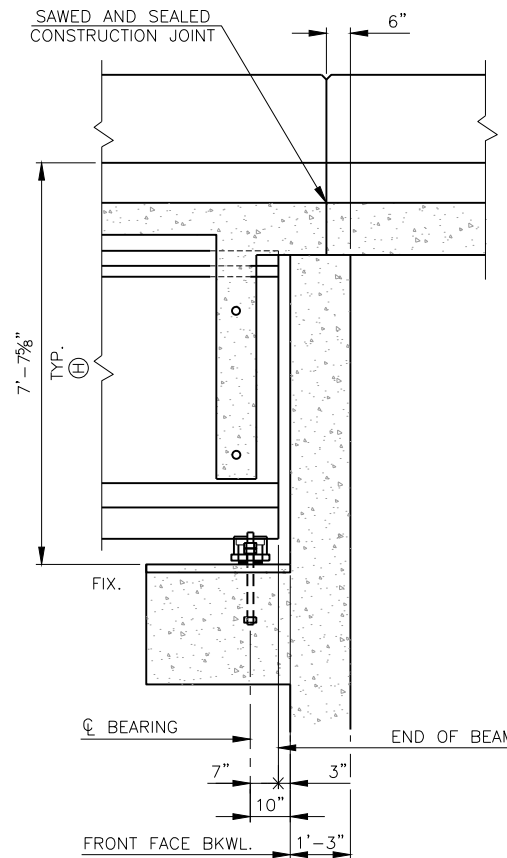
**PIER NO. 4 AND 5**



**PIER NO. 6**



**INTERMEDIATE DIAPHRAGM**



**ABUTMENT NO. 2**

SUPERSTRUCTURE QUANTITIES			
ITEM	UNIT	PHASE I	PHASE II
PRESTRESSED CONCRETE BEAMS (TYPE IV)	L.F.	598.0	398.7
PRESTRESSED CONCRETE BEAMS (TYPE J BT)	L.F.	1,795.0	1,196.7
SAW-CUT GROOVING	S.Y.	1,959.6	1,959.6
SEALED EXPANSION JOINT	L.F.	91.5	91.5
CONCRETE RAIL (TR4)	L.F.	801.7	801.7
STRUCTURAL STEEL	LB.	3,840	3,700
STAINLESS STEEL FIXED BEARING ASSEMBLY	EA.	15	10
STAINLESS STEEL EXPANSION BEARING ASSEMBLY	EA.	27	18
CLASS AA CONCRETE	C.Y.	581.1	581.1
EPOXY COATED REINFORCING STEEL	LB.	150,610	139,460
WATER REPELLENT (VISUALLY INSPECTED)	S.Y.	1,548.2	1,548.2
SEALER CRACK PREPARATION	L.F.	46	848
SEALER RESIN	GAL.	1	10

⊕ DIMENSION IS FROM TOP OF DECK SLAB TO BOTTOM OF BEARING ASSEMBLY AT CL BEARING.

DO NOT PLACE THE CONCRETE FOR THE DECK SLAB OR APPLY OTHER MASSIVE LOADS TO THE BEAMS UNTIL THE CONCRETE IN THE DIAPHRAGMS HAS BEEN IN PLACE A MINIMUM OF 10 DAYS OR AT THE DISCRETION OF THE ENGINEER. THE ENGINEER MAY APPROVE SHORTENED TIME IF THE BEAM AND DIAPHRAGM CONCRETE HAS ATTAINED 80% OF THE SPECIFIED COMPRESSIVE STRENGTH.

DESIGN	B.J.K.	SH-48 OVER CIMARRON RIVER	CREEK COUNTY
DRAWN	B.M.S.		
CHECKED	T.A.C.		
APPROV.	B.J.K.		
SQUAD	CEC		

**LONGITUDINAL SECTION**

JOB PIECE NO. 27925(04) SHEET NO. 49